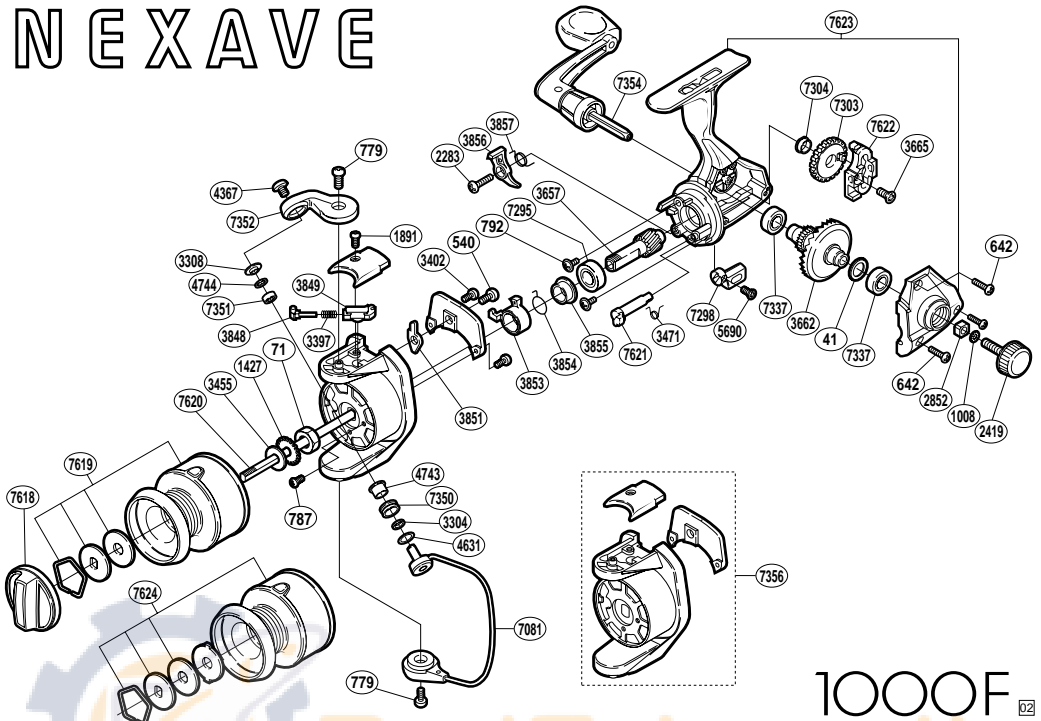


NEXAVE



1000F ⁰²

ReelSchematic

'02 NEX 1000F

RD No.	PARTS NAMES	RD No.	PARTS NAMES	RD No.	PARTS NAMES
0041	Drive Gear Washer	3471	Anti-Reverse Cam Spring	7295	Ball Bearing
0071	Rotor Nut	3657	Pinion Gear	7298	Anti-Reverse Lever
0540	Bail Trip Lever Screw	3662	Drive Gear	7303	Oscillating Gear
0642	Side Cover Screw	3665	Slider Retainer Screw	7304	Oscillating Gear Bushing
0779	Multi-Purpose Screw	3848	Bail Spring Guide (A)	7337	Ball Bearing
0787	Nut Lock Screw	3849	Bail Spring Guide (B)	7350	Line Roller
0792	Bearing Retainer Screw	3851	Bail Trip Lever	7351	Line Roller Bearing
1008	Handle Lock Washer	3853	Anti-Reverse Lock Out	7352	Bail Arm
1427	Spool Support	3854	Anti-Reverse Lock Out Spring	7354	Handle Assembly
1891	Bail Spring Cover Screw	3855	Lock Out Spring Holder	7356	Rotor Assembly
2283	Anti-Reverse Pawl Screw	3856	Anti-Reverse Pawl	7618	Drag Knob Assembly
2419	Handle Screw Cap	3857	Anti-Reverse Pawl Spring	7619	Spool Assembly
2852	Handle Screw Lock	4367	Line Roller Screw	7620	Main Shaft
3304	Bearing Spacer	4631	Spacer	7621	Anti-Reverse Cam
3308	Line Roller Washer	4743	Line Roller Bushing	7622	Oscillating Slider
3397	Bail Spring	4744	Roller Bearing Seal	7623	Body Assembly
3402	Cover Screw	5690	Anti-Reverse Lever Screw		
3455	Spool Washer	7081	Bail Assembly	7624	Spare Spool Assembly